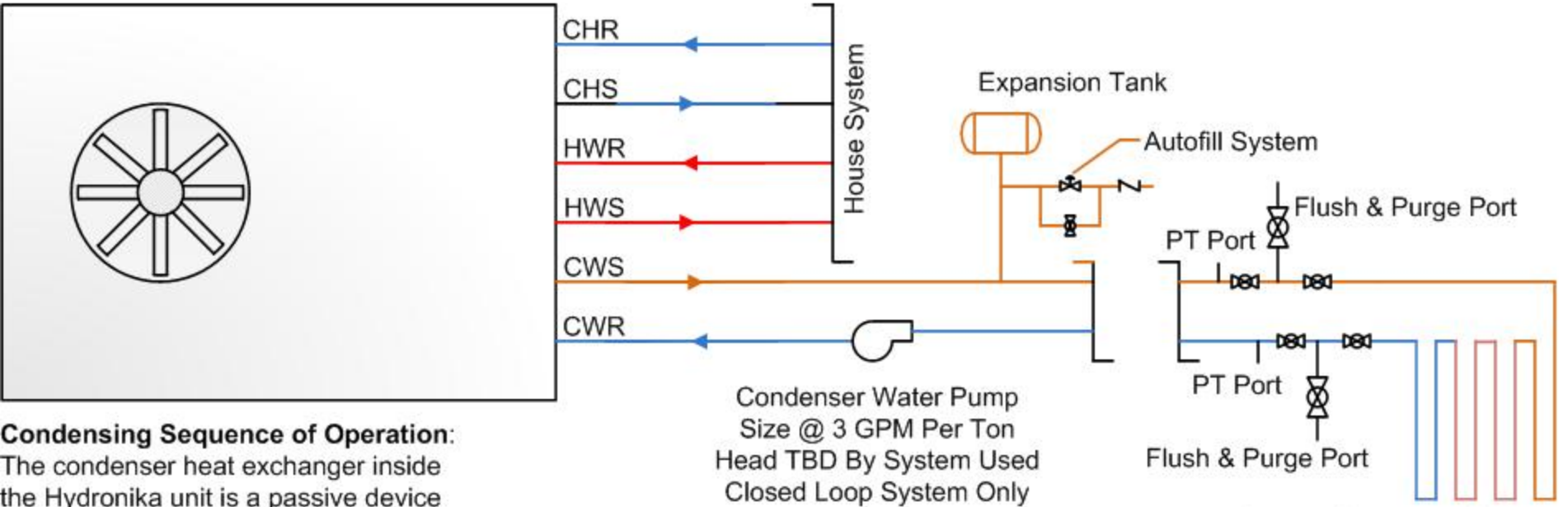


# Hydronika Unit



**Condensing Sequence of Operation:**  
The condenser heat exchanger inside the Hydronika unit is a passive device installed in the hot gas line between the compressor and the air-cooled condenser. If the heat exchanger is not sufficient to remove all of the heat required, the condenser fans will ramp up on VFD control to remove the remainder

